

# DENON®

## PMA-1600NE

INTEGRATED AMPLIFIER

# Quick Start Guide

Guide de démarrage rapide / Guía de inicio rápido

## Read Me First....

Lisez-moi en premier.... / Lea esto primero....

ENGLISH

FRANÇAIS

ESPAÑOL

# Welcome

Thank you for choosing a Denon amplifier. This guide provides step-by-step instructions for setting up your amplifier.

**Please do not return this unit to the store – call for assistance.**









## **If you need help... :**

If you need additional help in solving problems, contact Denon customer service in your area.

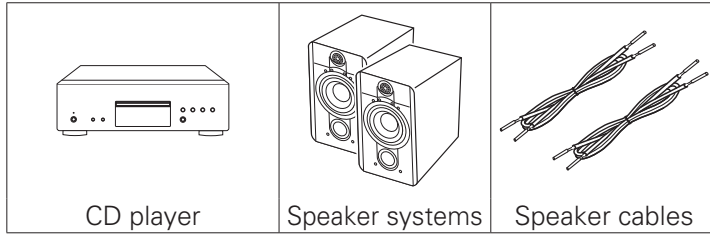
For details, see the Denon homepage. [www.denon.com](http://www.denon.com)

# Before You Begin

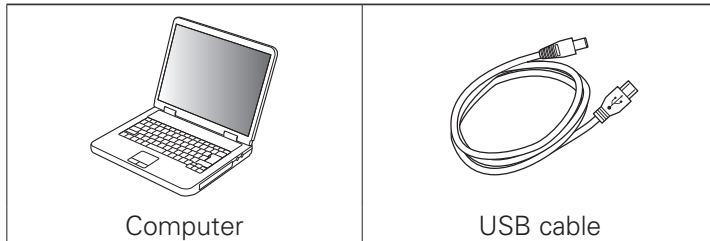
## What's In the Box

Quick Start Guide		Integrated Amplifier	
CD-ROM (Owner's Manual)		Power cord	
Safety Instructions		Remote control unit (RC-1213)	
Warranty (for North America model only)		R03/AAA batteries	

## Required for Basic connections



## Optional



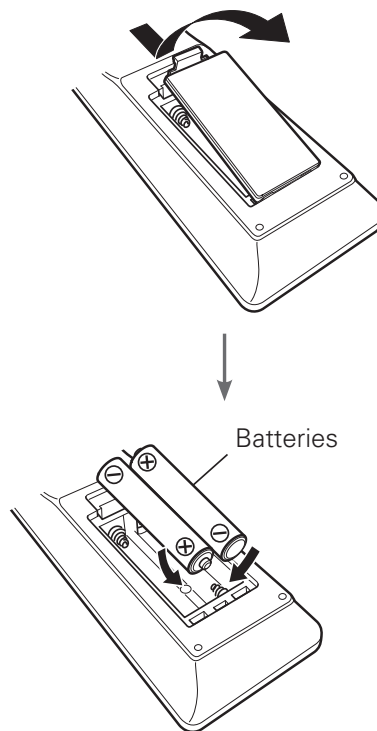
- These drawings are for illustrative purposes only and may not represent the actual product(s).

# Setup

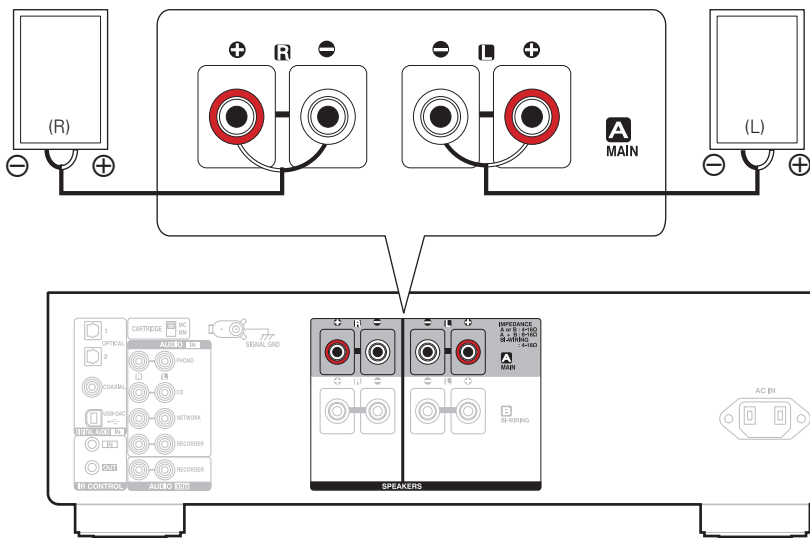
There are seven steps to the setup process.

- 1** Install batteries in the remote control unit
- 2** Connect the speakers to the amplifier
- 3** Connect the CD player to the amplifier
- 4** Plug the power cord into a power outlet
- 5** Begin CD playback
- 6** Installing the Windows driver software
- 7** Enjoying music using PC or Mac

## **1** Install batteries in the remote control unit



## 2 Connect the speakers to the amplifier

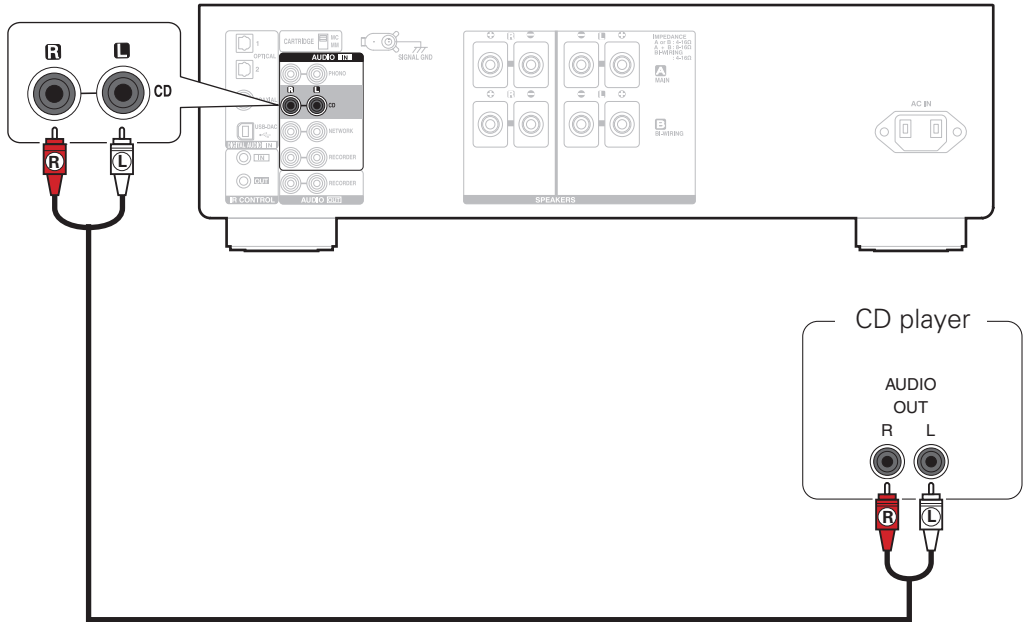


### Connecting the speaker cables

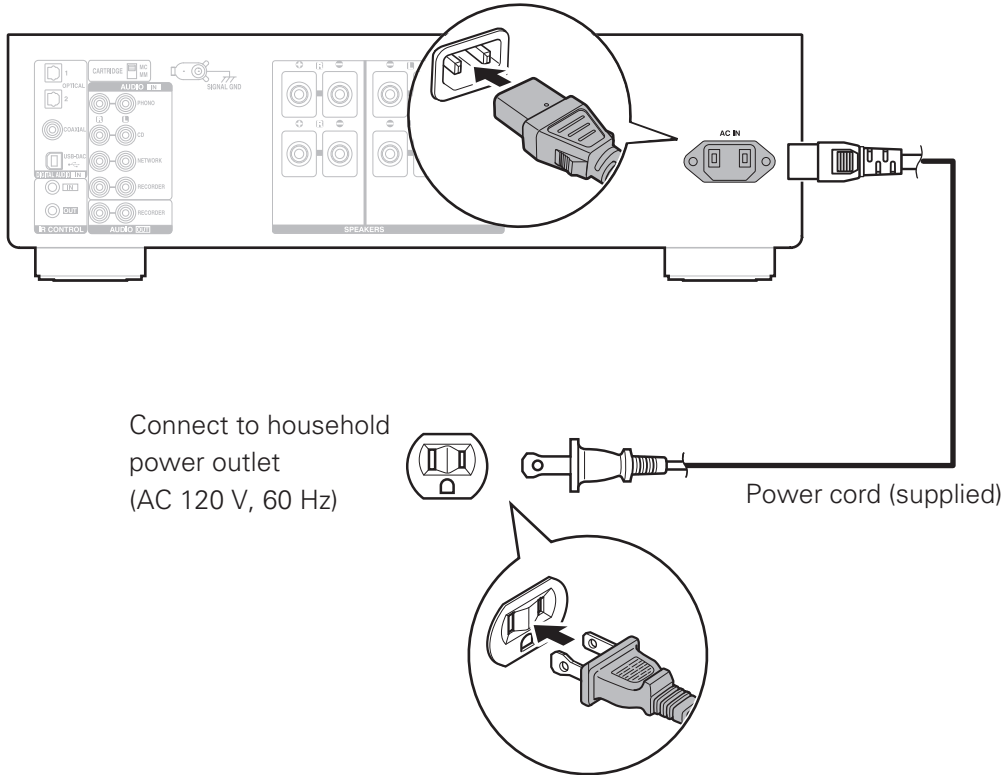
- 1 Peel off about 3/8 inch (10 mm) of sheathing from the tip of the speaker cable, then either twist the core wire tightly or apply solder to it.
- 2 Turn the speaker terminal counterclockwise to loosen it.
- 3 Insert the speaker cable's core wire to all the way into the speaker terminal.
- 4 Turn the speaker terminal clockwise to tighten it.



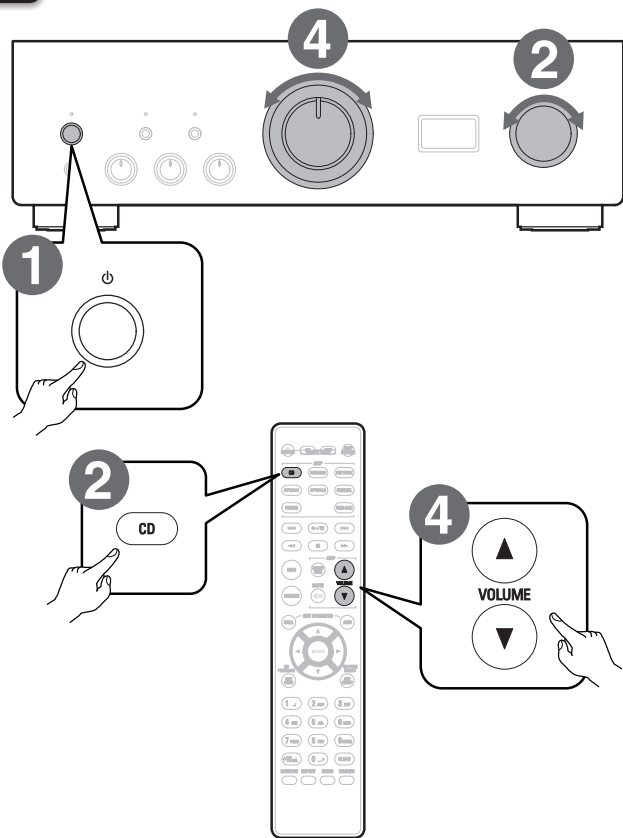
### 3 Connect the CD player to the amplifier



# 4 Plug the power cord into a power outlet



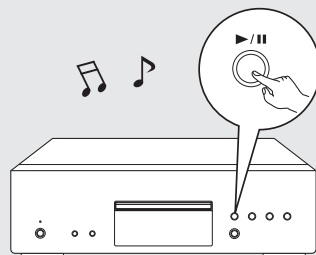
## 5 Begin CD playback



**1 Press the power operation button.**  
Turn VOLUME on the main unit to adjust the volume to the lowest level before turning on the power.

**2 Set the input source to “CD”.**  
“CD” is displayed on the display of this unit.

**3 Play the CD player.**



**4 Adjust the volume.**



## 6 Installing the Windows driver software

### NOTE

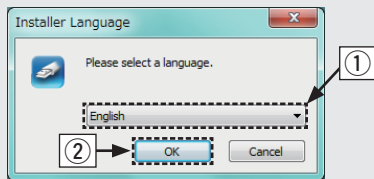
- The installation of the driver software is not necessary in the following cases.
  - When you do not play back the music from a PC using USB-DAC of this unit.
  - When using a Mac OS.

**1** Download the dedicated driver from the “Download” section of the PMA-1600NE page of the Denon website (<http://www.denon.com/pages/home.aspx>) onto your PC.

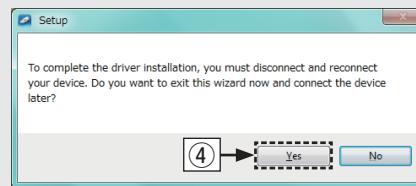
**2** Unzip the downloaded file, and double-click the exe file.

**3** Install the driver.

- ① Select the language to use for the installation.
- ② Click “OK”.



- ③ The wizard menu is displayed. Follow the instructions on the screen.
- ④ When the wizard is completed, click “Yes”.



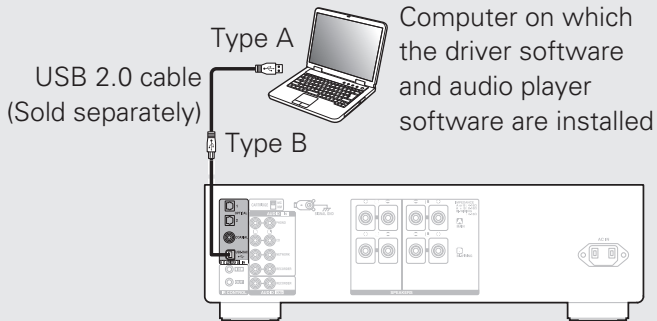
### NOTE

- The driver software cannot be installed correctly if your PC is connected to the unit by a USB cable.
- If the unit and your PC are connected by a USB cable and the PC is switched on before installation, disconnect the USB and restart the PC.
- Please see the FAQ at [www.denon.com](http://www.denon.com) if you experience any issues getting audio to play from your PC through the PMA-1600NE. You may also want to check the support pages for your audio player application.

# 7 Enjoying music using PC or Mac

## ❑ Connect to PC or Mac

### 1 Connect to PC or Mac.

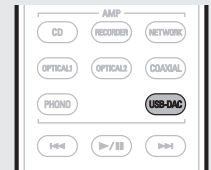


### 2 Press on this unit.

- When the unit power is turned on, the computer automatically finds and connects to the unit.

## ❑ Listen to PC or Mac Audio

### 1 Press USB-DAC to change the input source to “USB-DAC”.



### 2 Set the audio signal destination to this unit on the computer.

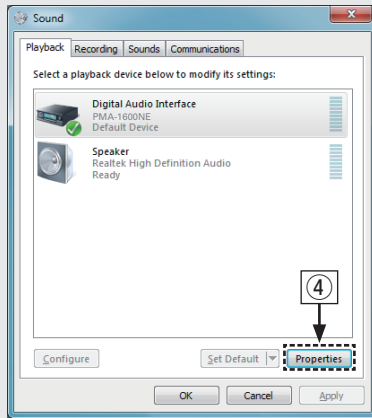
#### System Requirements

- Windows 7, Windows 8, Windows 8.1 or Windows 10
- Mac OS X 10.10, 10.11 or macOS 10.12

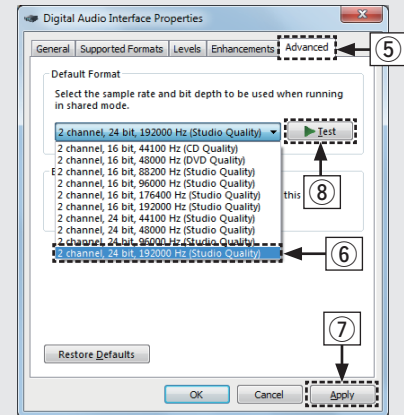
#### [Windows OS]

- ① Click the “Start” button and click “Control Panel” on the PC.
  - The control panel setting list is displayed.
- ② Click the “Sound” icon.
  - The sound menu window is displayed.

- ③ Check that there is a checkmark next to “Default Device” under in “PMA-1600NE” of the “Playback” tab.
  - When there is a checkmark for a different device, click “PMA-1600NE” and “Set Default”.
- ④ Select “PMA-1600NE” and click “Properties” .
  - The PMA-1600NE Properties window is displayed.

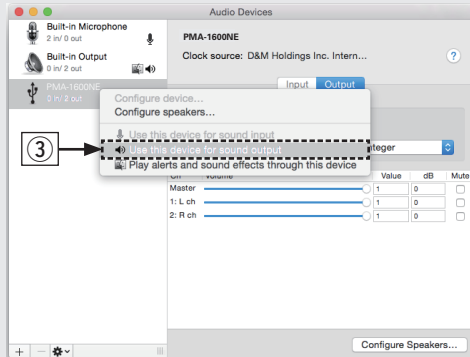


- ⑤ Click the “Advanced” tab.
- ⑥ Select the sampling rate and bit rate to be applied to the D/A converter.
  - It is recommended that “2 channel, 24 bit, 192000 Hz (Studio Quality)” is selected (Windows 7).
  - It is recommended that “2 channel, 32 bit, 192000 Hz (Studio Quality)” is selected (Windows 8/Windows 8.1/Windows 10).
- ⑦ Click “Apply”.
- ⑧ Click “Test” .
  - Check that audio from this unit is output from the PC.

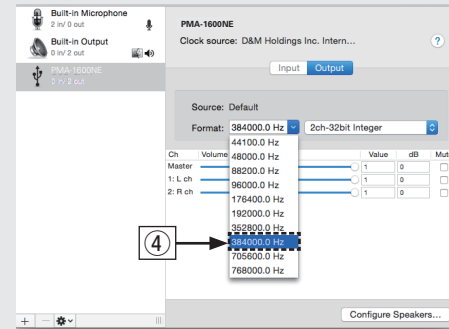


## [Mac OS]

- ① Move the cursor to “Go” on the computer screen, and then click “Utilities”.
  - The utility list is displayed.
- ② Double-click “Audio MIDI Setup”.
- ③ Check that “Use this device for sound output” is checked in “PMA-1600NE”.
  - If a different device is checked, select and “Secondary click” on “PMA-1600NE”, and then select “Use this device for sound output”.



- ④ Select the “PMA-1600NE” format.
  - It is normally recommended to set the format to “384000.0 Hz” and “2ch-32 bit Integer”.



- ⑤ Quit Audio MIDI Setup.

**3**

### Use your favorite music applications on your PC/Mac to play audio through the PMA-1600NE.

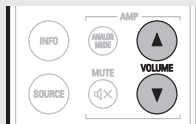
- For high resolution audio playback you will need to obtain an advanced audio player software such as JRiver Media Center or Audirvana.

USB: DSD  
11.2MHz

The type of music file and sampling frequency are displayed.

**4**

### Adjust the volume.

**NOTE**

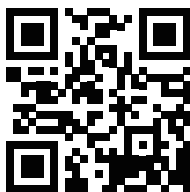
- Additional settings to output audio to the PMA-1600NE may have to be selected in your advanced audio player application. Please refer to the user's manual for your application.

# Owner's Manual

Please reference to the Owner's Manual for more details about the setup and operation of the amplifier and its features.

## ❑ Online Version

Enter the following URL into your web browser:  
[manuals.denon.com/PMA1600NE/NA/EN/](http://manuals.denon.com/PMA1600NE/NA/EN/)



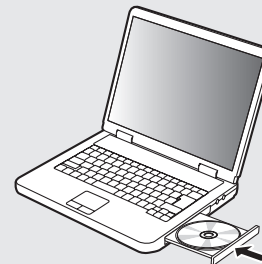
Online Manual



## ❑ Printable Version

Access the print version of the owner's manual from the included CD-ROM or select the "PDF Download" link from the Online Version.

**1** Insert the disc into your computer.



**2** Follow the screen or double click on the PDF file.



Product Name : Integrated Amplifier  
Model Number : PMA-1600NE

**DENON®**

[www.denon.com](http://www.denon.com)

Printed in Japan 5411 11604 00AD  
Copyright © 2016 D&M Holdings Inc. All Rights Reserved.