

DENON


MULTI CHANNEL POWER AMPLIFIER

POA-3012CI


Owner's Manual

Bedienungsanleitung

SAFETY PRECAUTIONS



CAUTION
RISK OF ELECTRIC SHOCK
DO NOT OPEN



CAUTION:
TO REDUCE THE RISK OF ELECTRIC SHOCK, DO NOT REMOVE COVER (OR BACK). NO USER-SERVICEABLE PARTS INSIDE. REFER SERVICING TO QUALIFIED SERVICE PERSONNEL.

The lightning flash with arrowhead symbol, within an equilateral triangle, is intended to alert the user to the presence of uninsulated "dangerous voltage" within the product's enclosure that may be of sufficient magnitude to constitute a risk of electric shock to persons.

The exclamation point within an equilateral triangle is intended to alert the user to the presence of important operating and maintenance (servicing) instructions in the literature accompanying the appliance.

WARNING:
TO REDUCE THE RISK OF FIRE OR ELECTRIC SHOCK, DO NOT EXPOSE THIS APPLIANCE TO RAIN OR MOISTURE.

CAUTION:

- The ventilation should not be impeded by covering the ventilation openings with items, such as newspapers, tablecloths, curtains, etc.
- No naked flame sources, such as lighted candles, should be placed on the unit.
- Observe and follow local regulations regarding battery disposal.
- Do not expose the unit to dripping or splashing fluids.
- Do not place objects filled with liquids, such as vases, on the unit.

ACHTUNG:

- Die Belüftung sollte auf keinen Fall durch das Abdecken der Belüftungsöffnungen durch Gegenstände wie beispielsweise Zeitungen, Tischtücher, Vorhänge o. Ä. behindert werden.
- Auf dem Gerät sollten keinerlei direkte Feuerquellen wie beispielsweise angezündete Kerzen aufgestellt werden.
- Bitte beachten Sie bei der Entsorgung der Batterien die örtlich geltenden Umweltbestimmungen.
- Das Gerät sollte keiner tropfenden oder spritzenden Flüssigkeit ausgesetzt werden.
- Auf dem Gerät sollten keine mit Flüssigkeit gefüllten Behälter wie beispielsweise Vasen aufgestellt werden.

IMPOTANT SAFETY INSTRUCTIONS

1. Read these instructions.
2. Keep these instructions.
3. Heed all warnings.
4. Follow all instructions.
5. Do not use this apparatus near water.
6. Clean only with dry cloth.
7. Do not block any ventilation openings. Install in accordance with the manufacturer's instructions.
8. Do not install near any heat sources such as radiators, heat registers, stoves, or other apparatus (including amplifiers) that produce heat.
9. Do not defeat the safety purpose of the polarized or grounding-type plug. A polarized plug has two blades with one wider than the other. A grounding type plug has two blades and a third grounding prong. The wide blade or the third prong are provided for your safety. If the provided plug does not fit into your outlet, consult an electrician for replacement of the obsolete outlet.
10. Protect the power cord from being walked on or pinched particularly at plugs, convenience receptacles, and the point where they exit from the apparatus.
11. Only use attachments/accessories specified by the manufacturer.
12. Use only with the cart, stand, tripod, bracket, or table specified by the manufacturer, or sold with the apparatus. When a cart is used, use caution when moving the cart/apparatus combination to avoid injury from tip-over.
13. Unplug this apparatus during lightning storms or when unused for long periods of time.
14. Refer all servicing to qualified service personnel. Servicing is required when the apparatus has been damaged in any way, such as power-supply cord or plug is damaged, liquid has been spilled or objects have fallen into the apparatus, the apparatus has been exposed to rain or moisture, does not operate normally, or has been dropped.



CAUTION:

To completely disconnect this product from the mains, disconnect the plug from the wall socket outlet. The mains plug is used to completely interrupt the power supply to the unit and must be within easy access by the user.

VORSICHT:

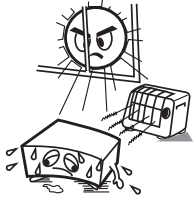
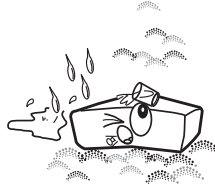

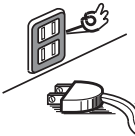




Um dieses Gerät vollständig von der Stromversorgung abzutrennen, ziehen Sie bitte den Stecker aus der Wandsteckdose. Der Netzstecker wird verwendet, um die Stromversorgung zum Gerät völlig zu unterbrechen; er muss für den Benutzer gut und einfach zu erreichen sein.

FCC INFORMATION (For US customers)

- 1. COMPLIANCE INFORMATION**
 Product Name: Multi Channel Power Amplifier
 Model Number: POA-3012CI
- This product complies with Part 15 of the FCC Rules. Operation is subject to the following two conditions: (1) this product may not cause harmful interference, and (2) this product must accept any interference received, including interference that may cause undesired operation.
- Denon Electronics (USA), LLC
 (a D & M Holdings Company)
 100 Corporate Drive
 Mahwah, NJ 07430-2041
 Tel. (800) 497-8921
- 2. IMPORTANT NOTICE: DO NOT MODIFY THIS PRODUCT**
 This product, when installed as indicated in the instructions contained in this manual, meets FCC requirements. Modification not expressly approved by DENON may void your authority, granted by the FCC, to use the product.
- 3. NOTE**
 This product has been tested and found to comply with the limits for a Class B digital device, pursuant to Part 15 of the FCC Rules. These limits are designed to provide reasonable protection against harmful interference in a residential installation. This product generates, uses and can radiate radio frequency energy and, if not installed and used in accordance with the instructions, may cause harmful interference to radio communications. However, there is no guarantee that interference will not occur in a particular installation. If this product does cause harmful interference to radio or television reception, which can be determined by turning the product OFF and ON, the user is encouraged to try to correct the interference by one or more of the following measures:
- Reorient or relocate the receiving antenna.
 - Increase the separation between the equipment and receiver.
 - Connect the product into an outlet on a circuit different from that to which the receiver is connected.
 - Consult the local retailer authorized to distribute this type of product or an experienced radio/TV technician for help.

This Class B digital apparatus complies with Canadian ICES-003.
 Cet appareil numérique de la classe B est conforme à la norme NMB-003 du Canada.

NOTE ON USE / HINWEISE ZUM GEBRAUCH

 <ul style="list-style-type: none"> Avoid high temperatures. Allow for sufficient heat dispersion when installed in a rack. Vermeiden Sie hohe Temperaturen. Beachten Sie, dass eine ausreichende Belüftung gewährleistet wird, wenn das Gerät auf ein Regal gestellt wird. 	 <ul style="list-style-type: none"> Keep the unit free from moisture, water, and dust. Halten Sie das Gerät von Feuchtigkeit, Wasser und Staub fern. 	 <ul style="list-style-type: none"> Do not let foreign objects into the unit. Lassen Sie keine fremden Gegenstände in das Gerät kommen.
<ul style="list-style-type: none"> Unplug the power cord when not using the unit for long periods of time. Wenn das Gerät längere Zeit nicht verwendet werden soll, trennen Sie das Netzkabel vom Netzstecker. 		 <ul style="list-style-type: none"> Do not let insecticides, benzene, and thinner come in contact with the unit. Lassen Sie das Gerät nicht mit Insektiziden, Benzin oder Verdünnungsmitteln in Berührung kommen.
 <ul style="list-style-type: none"> Handle the power cord carefully. Hold the plug when unplugging the cord. Gehen Sie vorsichtig mit dem Netzkabel um. Halten Sie das Kabel am Stecker, wenn Sie den Stecker herausziehen. 	 <p>* (For apparatuses with ventilation holes)</p> <ul style="list-style-type: none"> Do not obstruct the ventilation holes. Decken Sie den Lüftungsbereich nicht ab. 	 <ul style="list-style-type: none"> Never disassemble or modify the unit in any way. Ne jamais démonter ou modifier l'appareil d'une manière ou d'une autre.

For Europe model

DECLARATION OF CONFORMITY

We declare under our sole responsibility that this product, to which this declaration relates, is in conformity with the following standards: EN60065, EN55013, EN55020, EN61000-3-2 and EN61000-3-3. Following the provisions of 2006/95/EC and 2004/108/EC Directive.

ÜBEREINSTIMMUNGSERKLÄRUNG

Wir erklären unter unserer Verantwortung, daß dieses Produkt, auf das sich diese Erklärung bezieht, den folgenden Standards entspricht: EN60065, EN55013, EN55020, EN61000-3-2 und EN61000-3-3. Entspricht den Verordnungen der Direktive 2006/95/EC und 2004/108/EC.

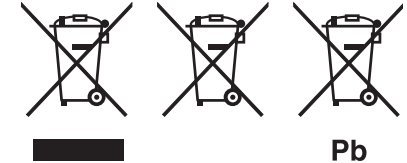
DENON Europe
Division of D&M Germany GmbH
An der Landwehr 19, Nettetal,
D-41334 Germany

A NOTE ABOUT RECYCLING:

This product's packaging materials are recyclable and can be reused. Please dispose of any materials in accordance with the local recycling regulations.

When discarding the unit, comply with local rules or regulations. Batteries should never be thrown away or incinerated but disposed of in accordance with the local regulations concerning battery disposal.

This product and the supplied accessories, excluding the batteries, constitute the applicable product according to the WEEE directive.



HINWEIS ZUM RECYCLING:

Das Verpackungsmaterial dieses Produktes ist zum Recyceln geeignet und kann wieder verwendet werden. Bitte entsorgen Sie alle Materialien entsprechend der örtlichen Recycling-Vorschriften.

Beachten Sie bei der Entsorgung des Gerätes die örtlichen Vorschriften und Bestimmungen.

Die Batterien dürfen nicht in den Hausmüll geworfen oder verbrannt werden; bitte entsorgen Sie die Batterien gemäß der örtlichen Vorschriften.

Dieses Produkt und das im Lieferumfang enthaltene Zubehör (mit Ausnahme der Batterien!) entsprechen der WEEE-Direktive.

Contents

Getting Started

Accessories 1

Cautions on Handling 1

Cautions on Installation 1

Part Names and Functions 2

Front Panel 2

Rear Panel 3

Connections

Preparations 4

Before Connecting 4

Cables Used for Connections 4

Speaker Connections 5

Connection Method When Outputting
2 Channels From One ZONE 5

Connection Method for BRIDGED Output 5

Input Connections 7

BUS INPUT Connections 7

AUDIO INPUT Connections 7

Connections to Other Devices 8

ETHERNET Connections 8

External Controller 9

- RS-232C Connector 9
- Trigger output jack 9
- Master trigger input jack 9
- ZONE trigger input jacks 9

Connecting the Power Cord 10

Once Connections are Completed 10

Setup

Example of Display of Default Values 10

Operations 10

Menu Map 11

Main Setup 13

- 1 VOLUME CONTROL 13
- 2 INPUT SELECT 13
- 3 LOW CUT FILTER 13
- 4 OPERATION MODE 13
- 5 ZONE TRIGGER ON MODE 14
- 6 DIMMER MODE 14
- 7 POWER CONFIGURATION 14

Network Setup 14

- 1 Network Information 14
- 2 Network Setup 15

Option Setup 16

- 1 Setup Lock 16
- 2 Maintenance 16
- 3 Firmware Update 16

Operations

Turning the Power On 17

Check the Status of Each Channel 17

Other Operations 17

- Other Operations During Playback 17
- Operating the POA-3012CI Using a Browser (Web control) 17
- Resetting the Microprocessor 18

Troubleshooting 19

Specifications 19

Getting Started

Thank you for purchasing this DENON product. To ensure proper operation, please read this owner's manual carefully before using the product. After reading them, be sure to keep them for future reference.

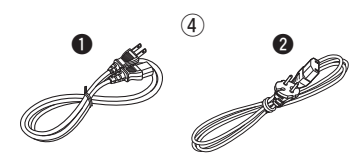
Accessories

Check that the following parts are supplied with the product.

- 1 Owner's manual 1
- 2 Warranty (for North America model only) 1
- 3 Service station list 1
- 4 Power cord 1

Cord length: 1 Modelle für die Nordamerika: 6.6 ft / 2.0 m

2 Europe model: 5.2 ft / 1.6 m



Cautions on Handling

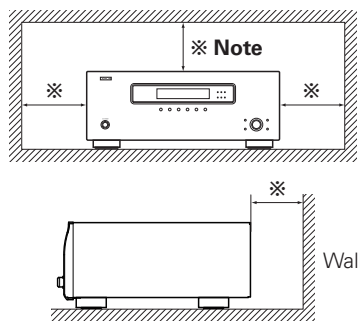
- **Before turning the ON/STANDBY switch on**
Check once again that all connections are correct and that there are no problems with the connection cables.
- Power is supplied to some of the circuitry even when the unit is set to the standby mode. When traveling or leaving home for long periods of time, be sure to unplug the power cord from the power outlet.
- **About condensation**
If there is a major difference in temperature between the inside of the unit and the surroundings, condensation (dew) may form on the operating parts inside the unit, causing the unit not to operate properly.
If this happens, let the unit sit for an hour or two with the power turned off and wait until there is little difference in temperature before using the unit.

- **Cautions on using mobile phones**
Using a mobile phone near this unit may result in noise. If so, move the mobile phone away from this unit when it is in use.

- **Moving the unit**
Turn off the power and unplug the power cord from the power outlet.
Next, disconnect the connection cables to other system units before moving the unit.
- Note that the illustrations in these instructions may differ from the actual unit for explanation purposes.

Cautions on Installation

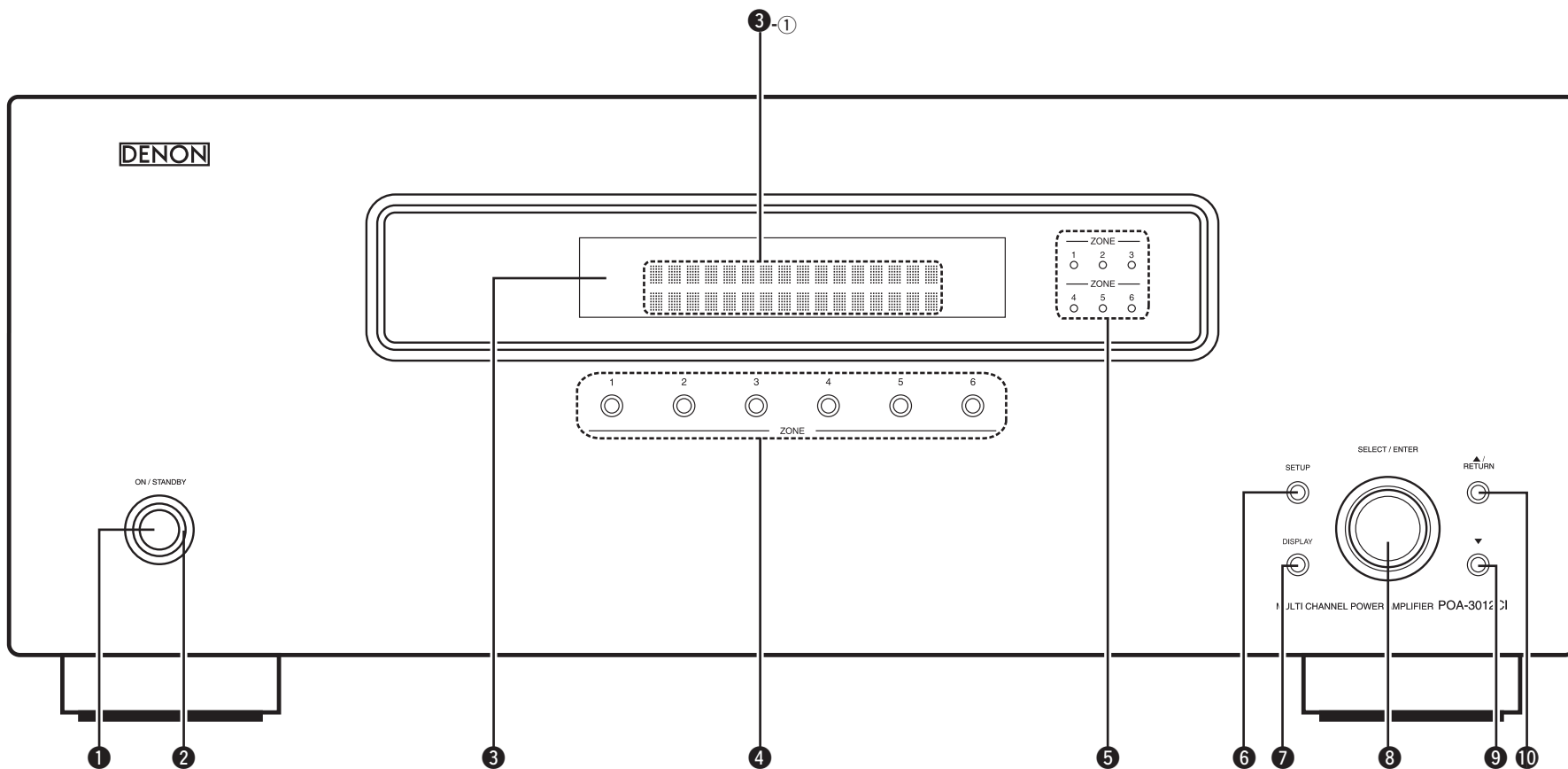
Note:
For proper heat dispersal, do not install this unit in a confined space, such as a bookcase or similar enclosure.



Part Names and Functions

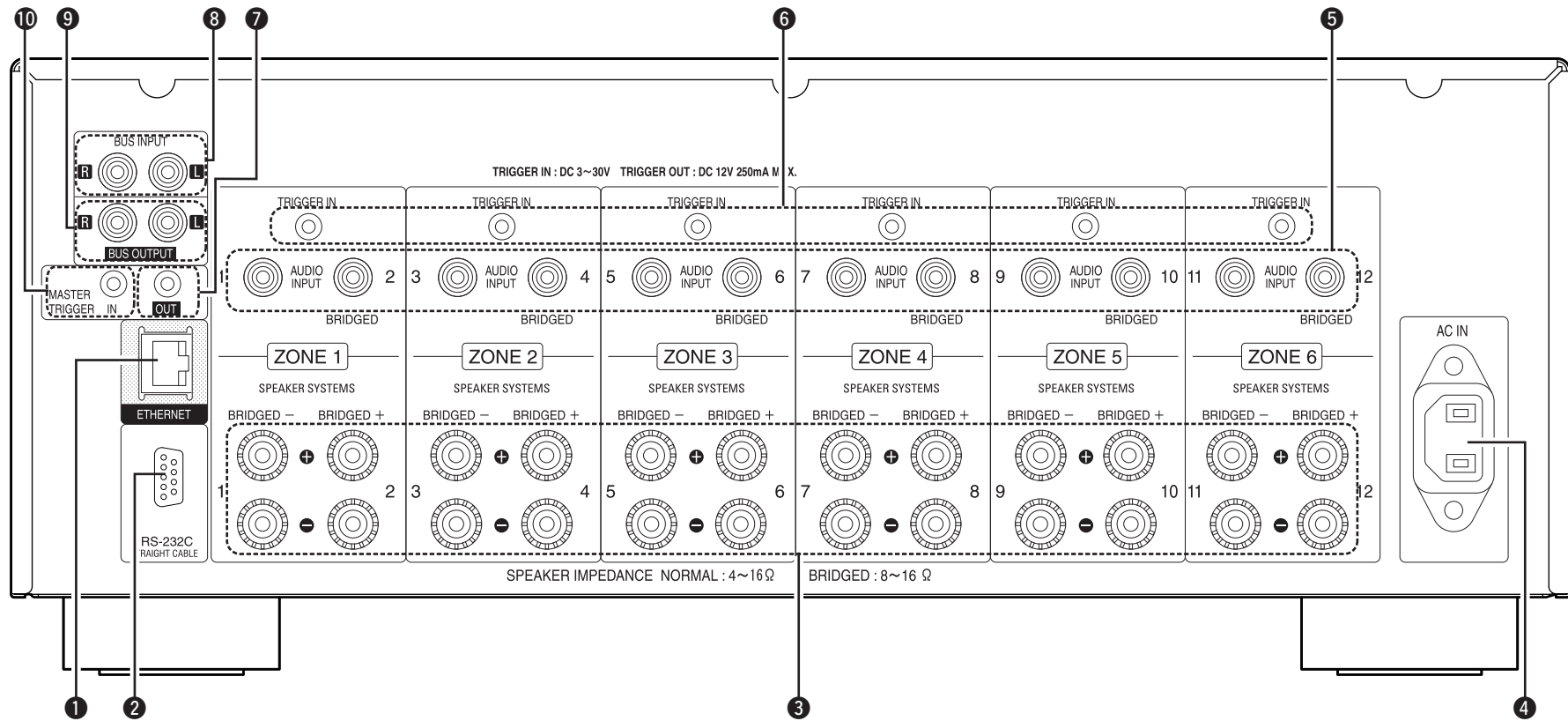
For buttons not explained here, see the page indicated in parentheses ().

Front Panel



- ① Power operation button (ON / STANDBY)..... (17)
④ ZONE select buttons (10)
⑧ SELECT / ENTER knob (10)
- ② Power indicator..... (17)
⑤ ZONE operation mode indicators (6, 13)
⑨ ▽ (Down) button (10)
- ③ Display (17)
⑥ SETUP button (10)
⑩ △ (Up) / RETURN button (10)
- ① Information display
Displays present status information and Setup menu etc.,
⑦ DISPLAY button (17)

Rear Panel



- ① ETHERNET connector (8)
- ② RS-232C connector (9)
- ③ Speaker terminals (SPEAKER SYSTEMS) (5)
- ④ AC inlet (AC IN) (10)
- ⑤ AUDIO INPUT connectors (7)
- ⑥ TRIGGER IN jacks (9)
- ⑦ MASTER TRIGGER OUT jack (9)
- ⑧ BUS INPUT connectors (7)
- ⑨ BUS OUTPUT connectors (7)
- ⑩ MASTER TRIGGER IN jack (9)

Connections

Connections for all compatible audio signal formats are described in this owner's manual. Please select the types of connections suited for the equipment you are connecting.

With some types of connections, certain settings must be made on the POA-3012CI. For details, refer to the instructions for the respective connection items below.

NOTE

- Do not plug in the power cord until all connections have been completed.
- When making connections, also refer to the operating instructions of the other components.
- In the case of Bus input / output connections, be sure to connect the left and right channels properly (left with left, right with right).
- Do not bundle power cords together with connection cables. Doing so can result in humming or noise.

Preparations

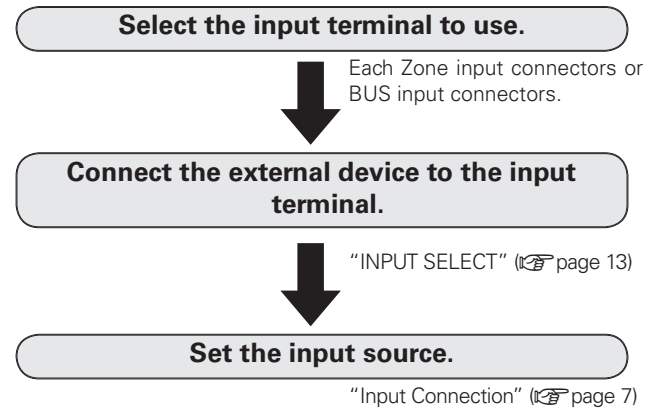
Before Connecting

The POA-3012CI incorporates six sets of 2-channel amplifier from ZONE1 to ZONE6.

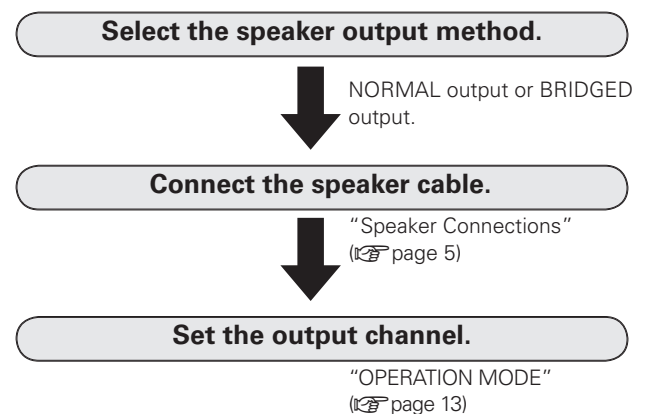
The same audio signal can be output from all ZONE or separate signals can be output from each ZONE. The POA-3012CI also supports BRIDGED output.

Before making the connections, determine the input signals and output signals for each ZONE and then set up the POA-3012CI in accordance with the following procedure.

Input Setting



Output Setting




Cables Used for Connections


Select the cables according to the equipment being connected.

Audio cables


Audio input connections

(Black)  Pin-plug cable


Businput/output connections (stereo)

(Black)  Stereo pin-plug cable

Network connections

 Ethernet cable


Speaker connections

+  -
Speaker cable

Signal direction


Audio signal:

Output



Input

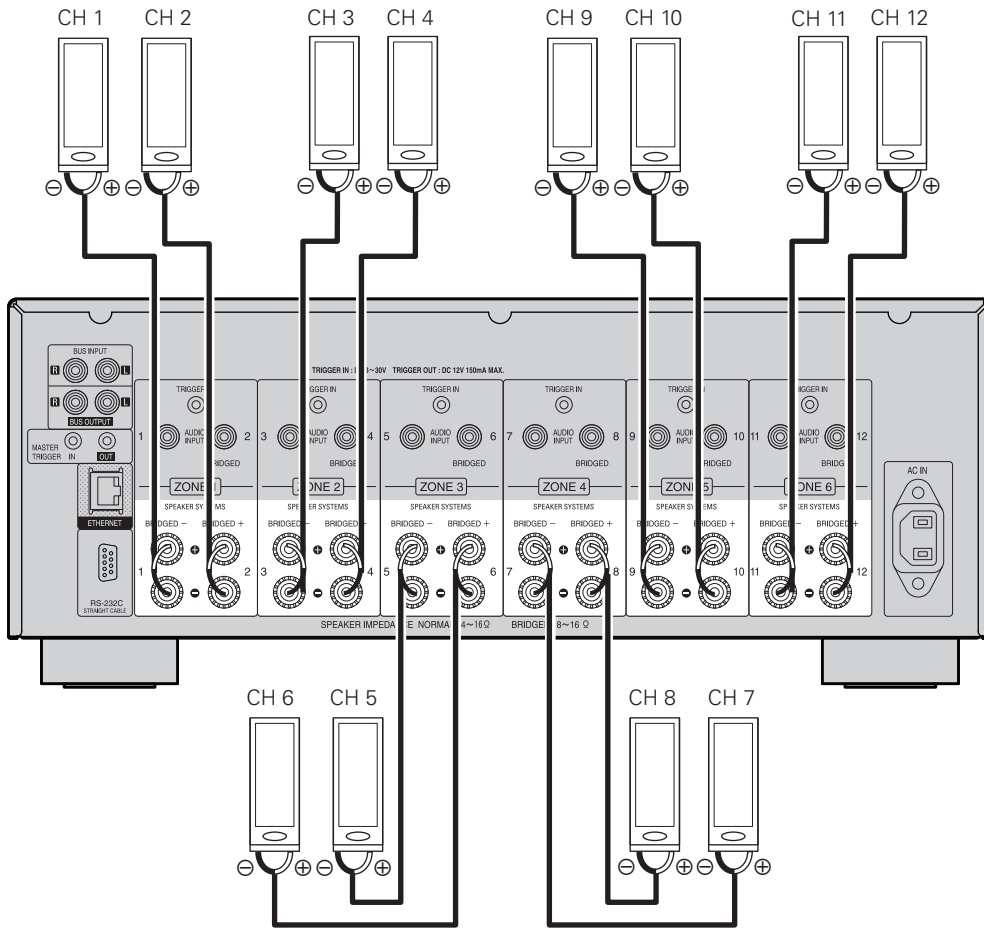
Input



Output

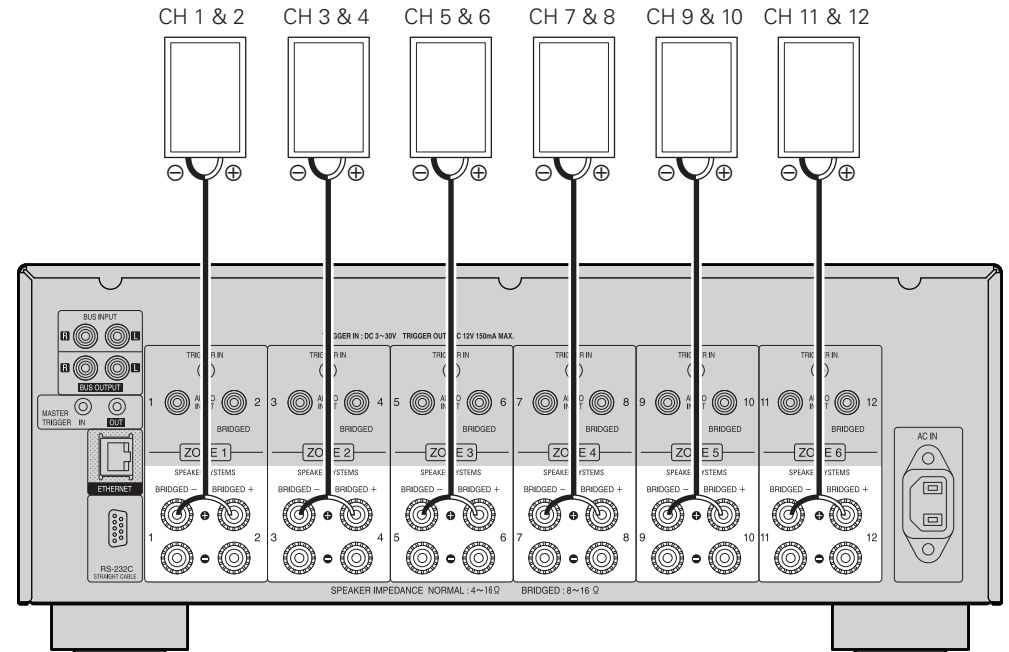
Speaker Connections

Connection Method When Outputting 2 Channels From One ZONE



Connection Method for BRIDGED Output

- In BRIDGED mode, one channel is output from one ZONE.
- To set BRIDGED mode, select "BRIDGED" as the "OPERATION MODE" on the "Main Setup" menu.
- When BRIDGED out putting a signal input to the AUDIO INPUT terminal, input to an even-numbered input terminal.
- To select a signal for BRIDGED output from among the signals ("L", "R", "L+R") input to the BUS INPUT terminal, use "INPUT SELECT" on the "Main Setup" menu.



Connecting the Speaker Cables

Carefully check the channel numbers and + (red) and – (black) polarities on the speakers being connected to the POA-3012CI, and be sure to interconnect the channels and polarities correctly.

1 Peel off about 0.03 ft/10 mm of sheathing from the tip of the speaker cable, then either twist the core wire tightly or terminate it.



2 Turn the speaker terminal counterclockwise to loosen it.



3 Insert the speaker cable's core wire to the hilt into the speaker terminal.

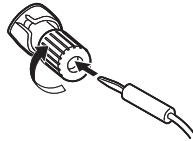


4 Turn the speaker terminal clockwise to tighten it.



When using a banana plug (for North America model)

Tighten the speaker terminal firmly before inserting the banana plug.



NOTE

- Use speakers with an impedance of 4 to 16 Ω /ohms. Use a 8 to 16 Ω /ohms speaker for BRIDGED output.
- Connect the speaker cables in such a way that they do not stick out of the speaker terminals. The protection circuit may be activated if the core wires touch the rear panel or if the + and – sides touch each other (☞ "Protection circuit").
- Never touch the speaker terminals while the power supply is connected. Doing so could result in electric shock.

Protection circuit

If speakers with an impedance lower than specified (for example 4 Ω /ohms speakers / NORMAL MODE) are used for an extended period of time with the volume turned up high, the temperature may rise, activating the protection circuit.

There are 2 kind of protection circuits in POA-3012CI.

1. Protection circuit for individual Amplifier (Zone 1 ~ 6)

This protection circuit detects over load condition of the amplifier circuit.

When the protection circuit is activated, the speaker output of individual Amplifier (Zone 1 ~ 6) is shut off, and the Zone operation mode indicator for protected Zone No. flashes red.

If this happen, unplug the power cord, then check the speaker cable and input cable connections.

2. Temperature rise protection circuit in the chassis.

This protection circuit detects temperature rising in the chassis.

When the protection circuit is activated, the power source for all Amplifier circuits is shut off, and the power indicator flashes red.

If this happen, it may be extremely hot in the chassis, unplug the power cord.

Wait for it too cool off and improve ventilation around it.

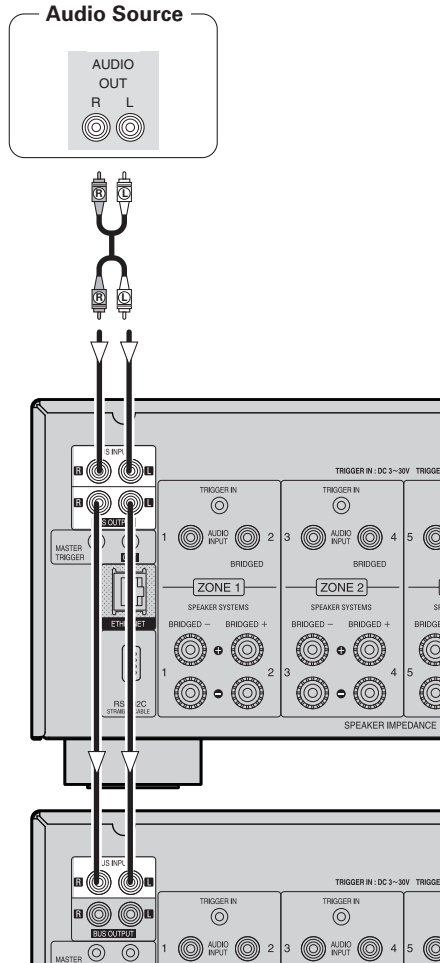
Once this is done, plug the power cord back in and turn the set's power back on.

If the protection circuit is activated again even though there are no problems in the ventilation around the set nor in the connections, the set may be damaged. Turn the power off, then contact a DENON service center.

Input Connections

BUS INPUT Connections

- To play signals input to the BUS INPUT terminal, select the channel using "INPUT SELECT" on the "Main Setup" menu.
- When "BUS L+R" is used, signals input to BUS INPUT L and R are mixed and output as monaural.



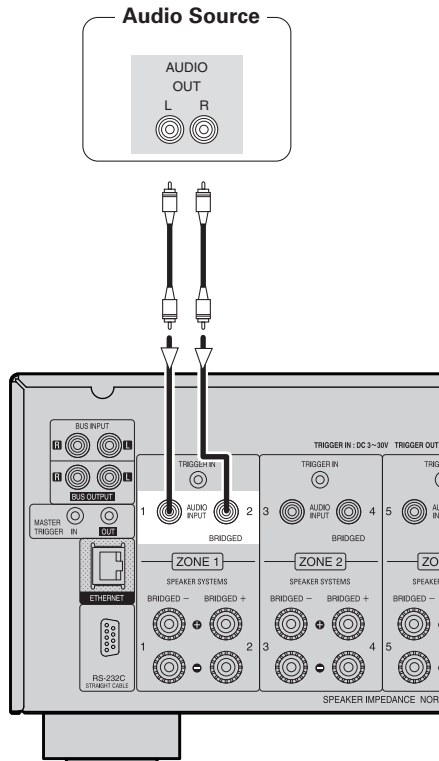
AUDIO INPUT Connections

When Using in NORMAL MODE

To play signals input to the AUDIO INPUT terminal, use "INPUT SELECT" on the "Main Setup" menu to set each channel to AUX.

[Example]

Connect the left and right channels from audio source to audio inputs of arbitrary numbers.

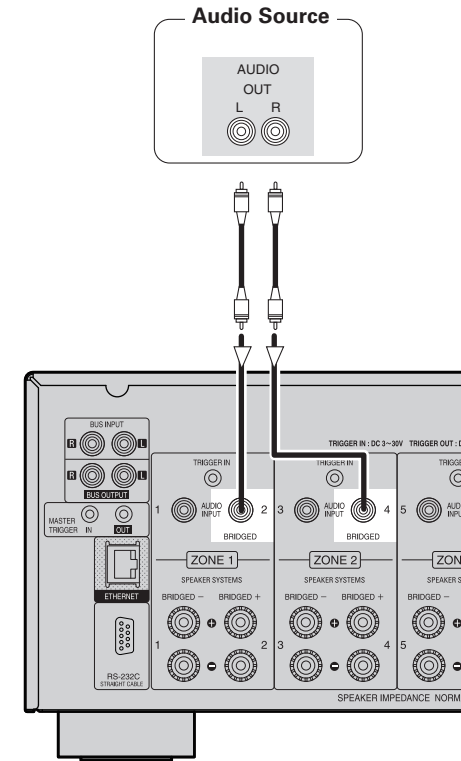


When Using in BRIDGED MODE

Input BRIDGED output signals to an even-numbered input terminal.

[Example]

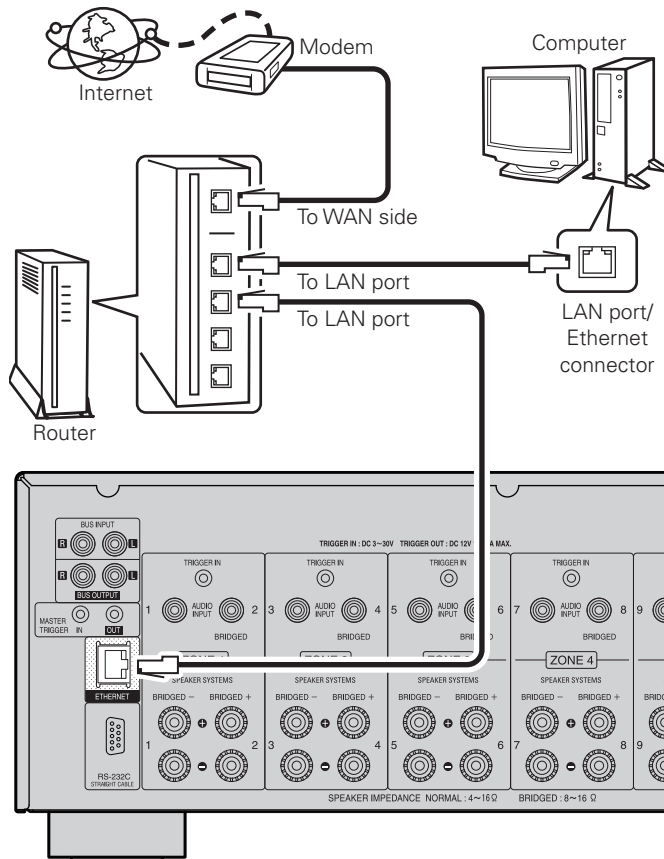
Connect the left and right channels from audio source to audio inputs of arbitrary numbers.



Signals input from the BUS INPUT are output from the BUS OUTPUT terminal. These signals can be output to the BUS INPUT terminal of another POA-3012CI unit.

Connections to Other Devices

ETHERNET Connections



Required System

❑ Broadband Internet Connection

A broadband line connection to the Internet is required in order to use the POA-3012CI's firmware update.

❑ Modem

This is a device that is connected to the broadband line to communicate with the Internet. Some are integrated with the router.

❑ Router

- When using the POA-3012CI, we recommend you use a router equipped with the following functions:
 - Built-in DHCP (Dynamic Host Configuration Protocol) server
This function automatically assigns IP addresses on the LAN.
 - Built-in 100 BASE-TX switch
When connecting multiple devices, we recommend a switching hub with a speed of 100 Mbps or greater.

❑ Ethernet Cable (CAT-5 or greater recommended)

- The POA-3012CI does not come with an Ethernet cable.
- Some flat type Ethernet cables are easily affected by noise. We recommend using a normal type cable.
- If the sound is broken in an environment in which there is much power supply noise from electric products or in a noisy network environment, use a shielded type Ethernet cable (For North America model).
- For the Ethernet cable, used a shielded twisted pair (STP) cable. Do not use an unshielded twisted pair (UTP) cable, as it may exceed noise standard limits (For Europe model).

❑ Computer

A computer with the following specifications is required to use a server:

- OS
Windows® XP Service Pack2, Windows Vista
- Internet browser
Microsoft Internet Explorer 5.01 or later
- LAN port



For connections to the Internet, contact an ISP (Internet Service Provider) or a computer shop.

NOTE

- A contract with an ISP is required to connect to the Internet. No additional contract is needed if you already have a broadband connection to the Internet.
 - The types of routers that can be used depend on the ISP. Contact an ISP or a computer shop for details.
- ### ❑ Others
- If you have an Internet provider contract for a line on which network settings are made manually, make the settings at "Network Setup" (page 15).
 - With the POA-3012CI, it is possible to use the DHCP and Auto IP functions to make the network settings automatically.
 - When using a broadband router (DHCP function), the POA-3012CI sets the IP address, etc., automatically. When using the POA-3012CI connected to a network with no DHCP function, make the settings for the IP address, etc., at "Network Setup" (page 15).
 - The POA-3012CI is not compatible with PPPoE. A PPPoE-compatible router is required if you have a contract for a line of the type with which the PPPoE is set.

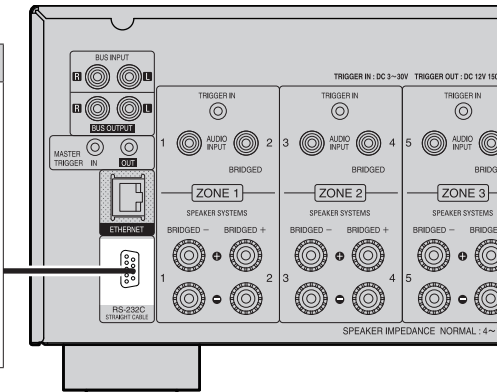
External Controller

RS-232C connector

This connector is used for an external controller.

※ If you wish to control the POA-3012CI from an external controller using the RS-232C connector, perform the operation below beforehand.

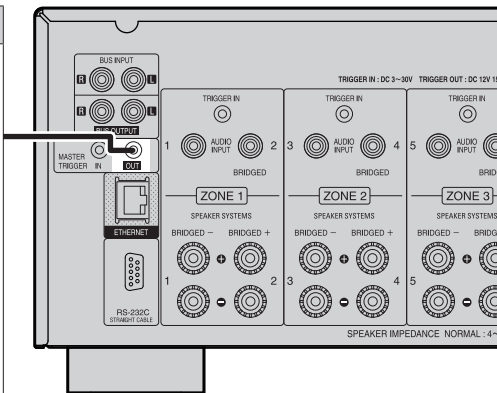
- ① Turn the POA-3012CI's power.
- ② Turn off the POA-3012CI's power from the external controller.
- ③ Check that the POA-3012CI is in the standby mode.



Trigger output jack

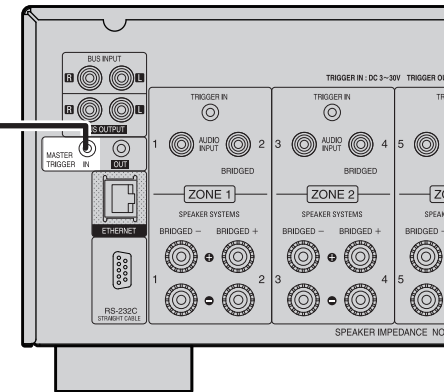
The power of an external device equipped with a trigger input jack can be turned on and off in association with operations on the POA-3012CI.

- Output level: 250 mA / 12 V
Check the trigger input conditions of the connected device.
- If the trigger input level of the connected device is higher than 250 mA / 12 V and depending on the short-circuiting conditions, the POA-3012CI's protection circuit may be activated, in which case "TRIGGER OUT OVER LOAD" appears on the display. If this happens, turn off the POA-3012CI's power and disconnect the connected device.



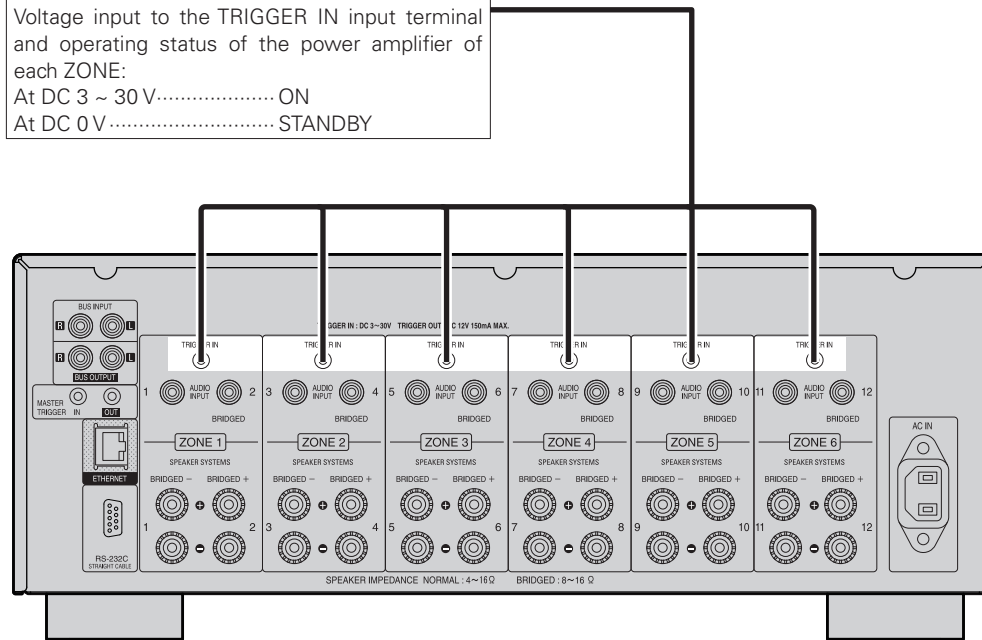
Master trigger input jack

The "POWER CONFIGURATION" setting is valid at the time of a "MASTER TRIGGER".
Voltage input to the MASTER TRIGGER input terminal and operating status of the POA-3012CI:
At DC 3 ~ 30 V..... ON
At DC 0 V..... STANDBY



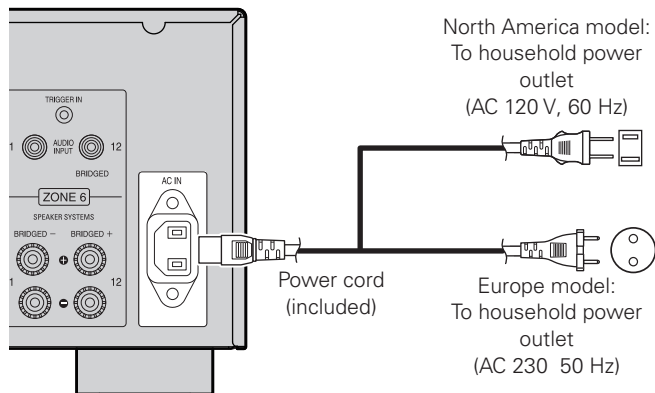
ZONE trigger input jack

The ZONE TRIGGER ON MODE setting is valid at the time of a "TRIGGER IN".
Voltage input to the TRIGGER IN input terminal and operating status of the power amplifier of each ZONE:
At DC 3 ~ 30 V..... ON
At DC 0 V..... STANDBY



Connecting the Power Cord

Wait until all connections have been completed before connecting the power cord.



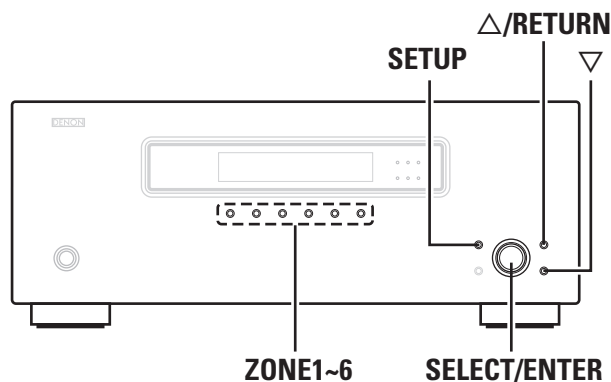
NOTE

Insert the AC plugs securely. Incomplete connections could cause noise.

Once Connections are Completed

Turning the Power On (page 17)

Setup



Example of Display of Default Values

In lists of selectable items or adjustable ranges, the item surrounded by a border is the default value.

[Selectable items] **Bright** Dim Dark OFF

Operations

For all settings, refer to "Menu map" (page 11, 12).
For details of individual settings refer to the explanations of settings (page 13 ~ 16).

1 Press the SETUP button.
The POA-3012CI enters the "SETUP" mode and the first level menu is displayed.
The selected item blinks.

2 Select the required item on the menu and set it.

Using the menu

- To select the item to be set**
Turn the **SELECT / ENTER** knob until the item you want to set appears.
- To enable lower level menu items to be displayed**
Press the **SELECT / ENTER** knob or the ∇ button.
- To return to higher level menu items**
Press the Δ / **RETURN** button.
- To confirm selected item**
Press the **SELECT / ENTER** knob.
- To exit SETUP mode**
Press the **SETUP** button until the display returns to normal.

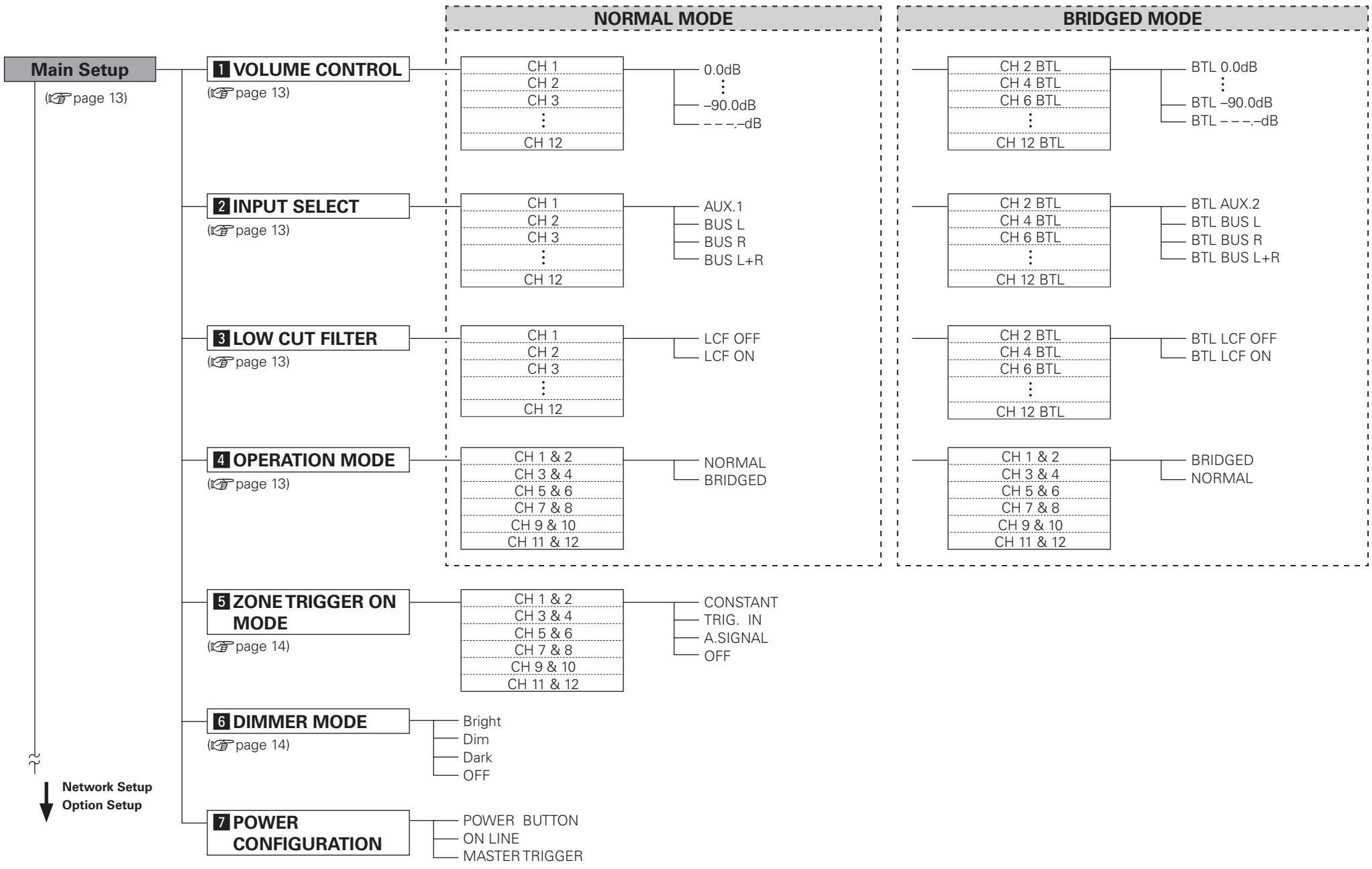


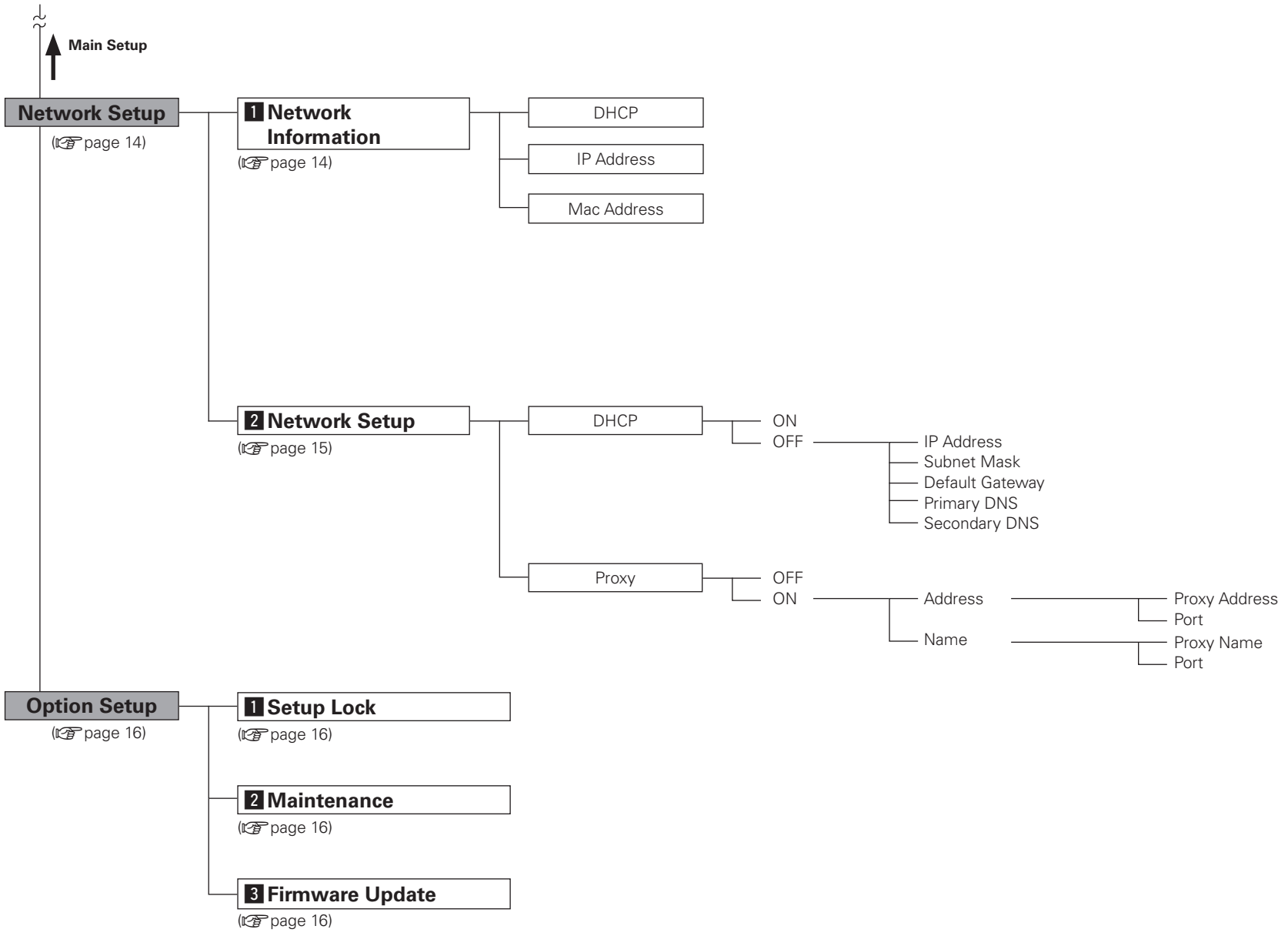
If you want to configure the settings for a specific ZONE, press the **ZONE 1 ~ 6** button for the ZONE concerned and configure the settings.

- In this case, the setting item of another ZONE is not displayed.
- To configure the settings for "DIMMER MODE" and "POWER CONFIGURATION", use the **SETUP** button to select "Main Setup" mode.

Menu Map

Getting Started
Connections
Setup
Operations
Troubleshooting
Specifications





Main Setup

● Menu tree ●

Main Setup

1 VOLUME CONTROL

2 INPUT SELECT

3 LOW CUT FILTER

4 OPERATION MODE

5 ZONE TRIGGER ON MODE

6 DIMMER MODE

7 POWER CONFIGURATION

1 VOLUME CONTROL

Sets the volume level for each channel.

[Selectable Channels]

Channels which can be set in each mode.

	NORMAL MODE	BRIDGED MODE
CH 1	○	×
CH 2	○	○
CH 3	○	×
CH 4	○	○
CH 5	○	×
CH 6	○	○
CH 7	○	×
CH 8	○	○
CH 9	○	×
CH 10	○	○
CH 11	○	×
CH 12	○	○

Default: NORMAL MODE

- : Setting possible
- × : Setting not possible

[Variable range] ---, -dB (-∞) **-90.0dB** ~ **0.0dB**

2 INPUT SELECT

Sets the input terminal for each channel.

[Selectable Channels]

For details of the channels which can be set in each mode, see [Selectable Channels] in "1 VOLUME CONTROL".

[Selectable items]

AUX : AUDIO INPUT terminal of each ZONE.

BUS L : L terminal of BUS INPUT

BUS R : R terminal of BUS INPUT

BUS L+R : L and R terminals of BUS INPUT.
Inputs a L and R mixed mono signal.

3 LOW CUT FILTER

Cuts the low frequency component of each channel. Turn this "ON" when there is a high volume of low frequency sound.

[Selectable Channels]

For details of the channels which can be set in each mode, see [Selectable Channels] in "1 VOLUME CONTROL".

[Selectable items]

ON : Low frequency component is cut.

OFF : Low frequency component is not cut.

4 OPERATION MODE

Sets the output method for channels in each ZONE.

[Selectable Channels]

Sets each of the following channel pairs.

	NORMAL MODE	BRIDGED MODE
CH 1 & 2	○	○
CH 3 & 4	○	○
CH 5 & 6	○	○
CH 7 & 8	○	○
CH 9 & 10	○	○
CH 11 & 12	○	○

Default: NORMAL MODE

[Selectable items]

NORMAL : 2-channel output

BRIDGED : BRIDGED-channel output (1-channel output)



- During NORMAL MODE, ZONE operations mode indicators are lit green.
- During BRIDGED MODE, ZONE operations mode indicators are lit orange.

NOTE

The method of connecting speakers differs for each mode. Connect the speakers in accordance with the mode setting. For details, refer to "Speaker Connection" (page 5).

5 ZONE TRIGGER ON MODE

Sets the operating specifications for the power amplifiers of each ZONE.

[Selectable Channels]

For details of the channels which can be set in each mode, see [Selectable Channels] in "4 OPERATION MODE" (page 13).

[Selectable items]

CONSTANT : The power amplifier operates constantly.

TRIG. IN : The power amplifier operates when trigger input is detected.
When trigger input is not detected, it remains in standby mode.

A.SIGNAL : The power amplifier operates when an audio signal is input.
If no input is received for a period of 10 minutes, it switches to standby mode.

OFF : Turns the power amplifier off.



The POA-3012CI accepts +3 ~ 30V trigger input.

6 DIMMER MODE

Adjust display brightness of the POA-3012CI.

[Selectable items]

Bright : Normal display brightness.

Dim : Reduced display brightness.

Dark : Very low display brightness.

OFF : Display is off unless controls are operated.



When setting to "Dim", "Dark" and "OFF", the display brightness changes to "Bright" for about 3 seconds during the operation before reverting to the set brightness.

7 POWER CONFIGURATION

Select the method for turning on the POA-3012CI.

[Selectable items]

POWER BUTTON : Operate with the **ON/STANDBY** button only.

ON LINE : Operate from an external device via Ethernet or RS-232C input.

MASTER TRIGGER : Operate by detection of a trigger signal input to the MASTER TRIGGER input terminal.

- Turns on when a signal is detected.
- If no input is received for a period of 10 minutes, it switches to standby mode.



- The POA-3012CI accepts +3 ~ 30V trigger input.
- Even when "ON LINE" or "MASTER TRIGGER" has been set, power source operation is possible by means of **ON / STANDBY** button.

Network Setup

Make network settings.

● Menu tree ●

Main Setup

Network Setup

1 Network Information

2 Network Setup



- If you are using a broadband router (DHCP function), there is no need to make the settings at "Setting the IP Address" and "Setting the Proxy", since the DHCP function is set to "ON" in the POA-3012CI's default settings.
- If the POA-3012CI is being used connected to a network without the DHCP function, the network settings must be made. In this case, some knowledge of networks is required. For details, consult a network administrator.
- If you cannot connect to the Internet, recheck the connections and settings (page 8).
- If you do not understand about Internet connection, contact your ISP (Internet Service Provider) or the store from which you purchased your computer.



• DHCP (Dynamic Host Configuration Protocol) :

These are systems by which the IP address and other network settings are automatically set for the POA-3012CI, computer, broadband router and network devices.

• DNS (Domain Name System) :

This is a system for converting the domain names used when browsing Internet sites (for example, "www.denon.jp") into the IP addresses actually used for communications (for example, "202.221.192.106").

1 Network Information

Display network information.

[Items to be checked] **DHCP= ON or OFF** **IP Address**
MAC Address

2 Network Setup

Make settings for wired LAN.

Wired LAN settings

Use this procedure to configure the Wired LAN settings.

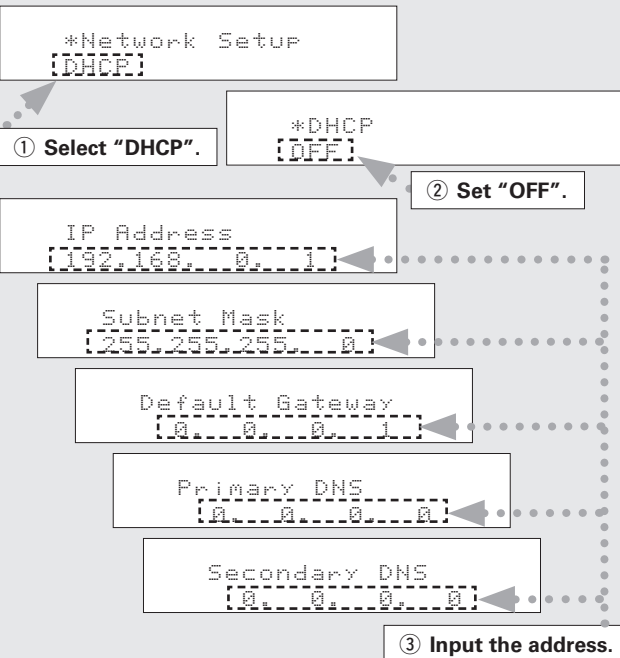
1 Connect the LAN cable (☞ page 8).

2 Turn on the POA-3012CI (☞ page 17).

POA-3012CI performs automatic network setup due to the DHCP function.

When connecting to a network that has no DHCP function, perform the setting in step 3.

3 Set the IP address at the menu “Network Setup” – “Network Setup” –



- ① Select “DHCP” and press the **SELECT / ENTER** knob.
- ② Turn the **SELECT / ENTER** knob to set “DHCP” to “OFF”, then press the **SELECT / ENTER** knob. The DHCP function is disabled.

③ Use the following buttons to input the address and press the **SELECT/ENTER** knob.

- ※ Button functions when entering address
 - SELECT/ENTER** knob : Turn.....Select
Press.....Confirm
 - △ button : Cursor to right
 - ▽ button : Cursor to left
 - ZONE 6** button : Setting during address entry
 - ZONE 5** button : Cancel entry

IP Address :

Set the IP address within the ranges shown below. The Network function cannot be used if other IP addresses are set.

- CLASS A: 10.0.0.0 ~ 10.255.255.255
- CLASS B: 172.16.0.0 ~ 172.31.255.255
- CLASS C: 192.168.0.0 ~ 192.168.255.255

Subnet Mask :

When connecting an xDSL modem or terminal adapter directly to the POA-3012CI, input the subnet mask indicated in the documentation supplied by your provider. Normally input 255.255.255.0.

Default Gateway :

When connected to a gateway (router), input its IP address.

Primary DNS Secondary DNS :

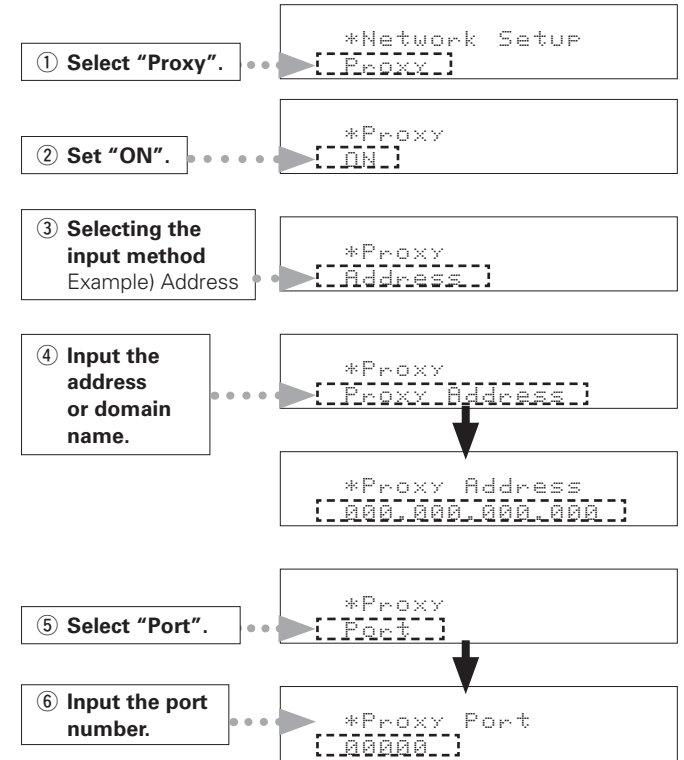
If there is only one DNS address indicated in the documentation supplied by your provider, input it at “Primary DNS”. If there are two or more DNS addresses, input the first one at “Secondary DNS”.

- ④ Press the **SELECT / ENTER** knob. Setup is complete.

※ When connecting to the network via a Proxy server, select “Proxy” and press the **SELECT / ENTER** knob (☞ page 15 “Proxy settings”).

Proxy settings

Make this setting when connecting to the Internet via a proxy server.



- ① Select menu “Network Setup” – “Network Setup” – “Proxy” and press the **SELECT / ENTER** knob.
- ② Turn the **SELECT / ENTER** knob to set “Proxy” to “ON” and press the **SELECT / ENTER** knob. The proxy server is enabled.
- ③ Turn the **SELECT / ENTER** knob to select the proxy server input method, and then press the ▽ button.

[Selectable items]

Address : Select when inputting by address.

Name : Select when inputting by domain name.

[Characters that can be input]

A ~ Z a ~ z 0 ~ 9

! # % & ' () * + , - . / : ; = ? @ [\] (space)

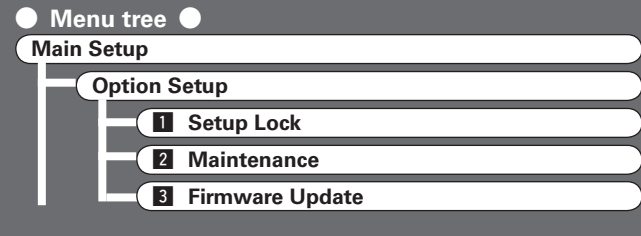
- ④ Use the following buttons to input the proxy server address or domain name and press the **SELECT / ENTER** knob.
- ※ Button functions when entering address
- SELECT / ENTER** knob: Turn.....Select
Press.....Confirm
- △ button : Cursor to right
▽ button : Cursor to left
- ZONE 6** button : Setting during address entry
ZONE 5 button : Cancel entry
- DISPLAY** button : Character insert / delete / overwrite
Cursor ► : Character insert
Cursor ◀ : delete
Cursor ■ : overwrite

When "Address" is selected in step ③ : Input the address
When "Name" is selected in step ③ : Input the domain name

- ⑤ Turn the **SELECT/ENTER** knob to select the "Port" and press **SELECT/ENTER** knob.
- ⑥ Use the above buttons to input the proxy server port number and press the **SELECT/ENTER** knob.
- ⑦ Press the **SELECT/ENTER** knob.
Setup is complete.

Option Setup

Make various other settings.



1 Setup Lock

Protect settings from inadvertent change.

[Selectable items]

ON : Turn protection on.

OFF : Turn protection off.



To cancel the setting, press the **SETUP** button to re-display the "Setup Lock", then change the setting to "OFF".

2 Maintenance

This sets the function for maintenance by a DENON serviceperson or installer. (For professional use only.)

This function allows a DENON serviceperson or installer to check the POA-3012CI's status and make settings via the Internet.

NOTE

Only use this function if so instructed by a DENON serviceperson or installer.

3 Firmware Update

Update the firmware of the multi channel power amplifier.

Update Check

You can check for firmware updates. You can also check approximately how long it will take to complete an update.

Update Start

Execute the update process.

When updating starts, the power indicator lights red. "Updating ***" is shown on the display during updating. Once updating is completed, "Updatingcomplete" is displayed.

"Latest firmware" is displayed when the firmware is the latest version.

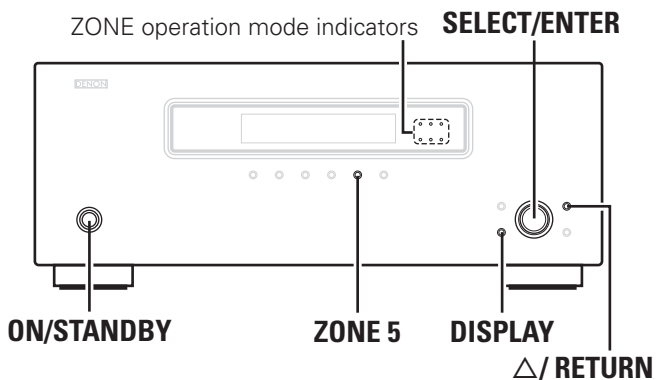
※ If the display reads as shown below, check the settings and network environment, then update again.

Display	Description
Updating failed	Updating failed.
Login failed	Failure to log into server.
Server is busy	Server is busy. Wait a while then try again.
Connection fail	Failure connecting to server.

NOTE

- Connection to the network and specific settings are required to update the firmware. For details, see page 8, 15.
- Do not turn off the power until updating is completed.
- Normally there is no need to use this function, aside from the cases described below.
 - The Firmware Update function is only used for updating the firmware (free or for a charge) via the Internet, for example for the purpose of adding functions to the POA-3012CI in the future.
 - Information regarding the Firmware Update function will be announced on the DENON web site each time related plans are defined.
 - A broadband connection to the Internet is required to use this function (☞ page 8).
 - Even with a broadband connection to the Internet, approximately 13 min is required for the updating procedure to be completed. Once updating starts, normal operations on the POA-3012CI cannot be performed until updating is completed. Furthermore, updating the firmware may reset the backup data for the parameters, etc., set for the POA-3012CI.

Operations

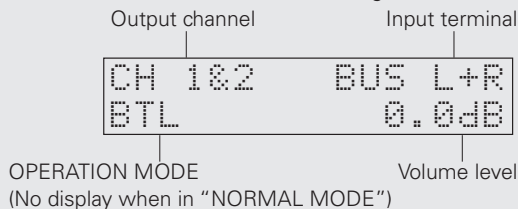


Turning the Power On

Press the ON / STANDBY button.

The power indicator flashes green and the power turns on.

- ※ The signal input to each channel is output from the speaker terminal of each channel.
- ※ The setting status of each channel is indicated on the display.
- ※ Turn the **SELECT/ENTER** knob to change the channel displayed.



To return to STANDBY

Press the **ON / STANDBY** button again.
The power indicator lights red.

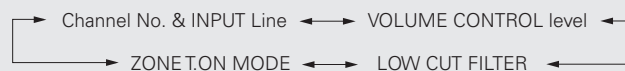
NOTE

- When the "POWER CONFIGURATION" is set to "MASTER TRIGGER", the device will automatically enter the standby status when no trigger input is detected for a period of 10 minutes.
- When the "POWER CONFIGURATION" is set to "ON LINE", send a standby command to the ETHERNET terminal or the RS-232C terminal of the POA-3012CI.
- Power continues to be supplied to some of the circuitry even when the power is in the standby mode. When leaving home for long periods of time or when traveling, unplug the power cord from the power outlet.

Check the Status of Each Channel

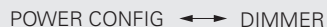
1 Press the DISPLAY button.

- ※ Zone status is indicated on the bottom line of the display.
- ※ Turn the **SELECT / ENTER** knob to change the display as follows.



2 Press the DISPLAY button again.

- ※ System status is indicated on the bottom line of the display.
- ※ Turn the **SELECT / ENTER** knob to change the display as follows.



To Return to the Regular Display

Press the **Δ / RETURN** button until the display returns to normal.

Other Operations

Other Operations During Playback

To Adjust the Volume

Refer to "VOLUME CONTROL" on the "Main Setup" menu (page 13).

To Switch Input Setting

Refer to "INPUT SELECT" on the "Main Setup" menu (page 13).

To Reduce the Low Frequency Volume

Refer to "LOW CUT FILTER" on the "Main Setup" menu (page 13).

Operating the POA-3012CI Using a Browser (Web control)

This function lets you operate the POA-3012CI using Internet Explorer.

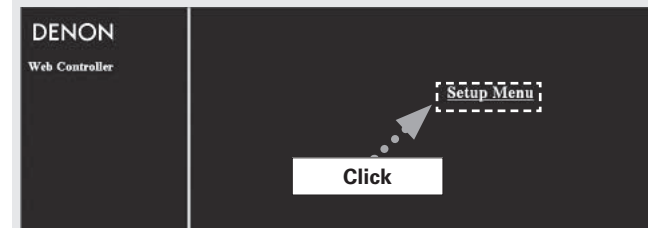
1 Check the POA-3012CI's IP Address.

"Network Setup" – "Network Information" (page 14)

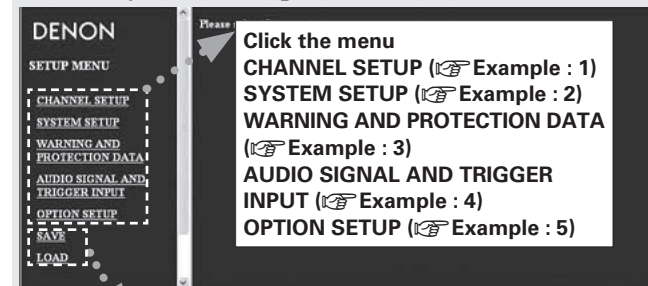
2 Input the POA-3012CI's IP Address in Internet Explorer.

For example, if the IP address is "10.3.18.90", enter http://10.3.18.90.

3 If the top menu is displayed, click "Setup Menu".



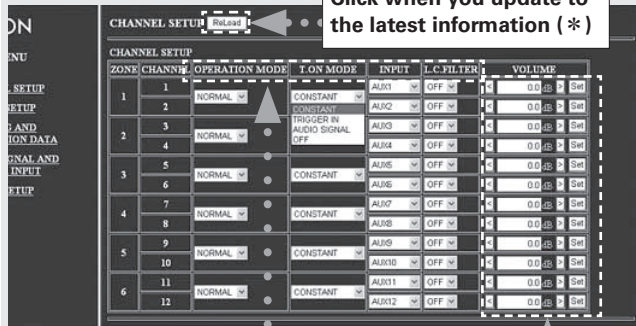
4 When the "Setup Menu" is displayed, click on the menu you want to operate.



Click "SAVE" when you want to save settings, and click "LOAD" when you want to call settings.
Becomes each operation screen.

5 Operate.

[Example: 1] Channel Setup Screen



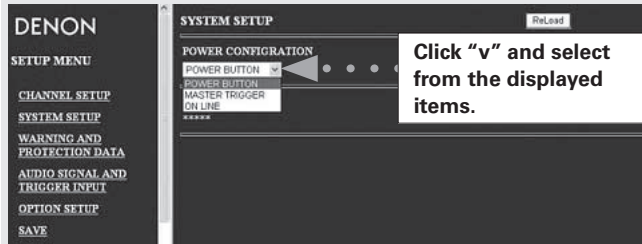
Click when you update to the latest information (*)

Click on the tab you want to set, and select from the displayed items.

Enter figures or click "<" or ">" to make the setting, and then click "Set".

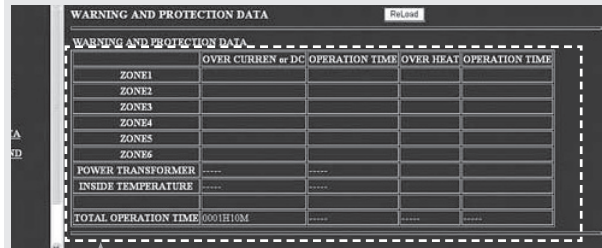
*:Normally, there is a change to the latest information each time you operate. When operated from the main unit, click because the screen is not updated.

[Example: 2] System Setup Screen



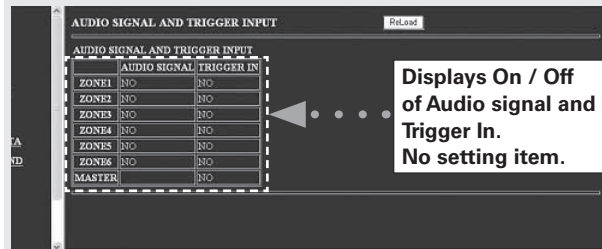
Click "v" and select from the displayed items.

[Example: 3] Warning and Protection Data Screen



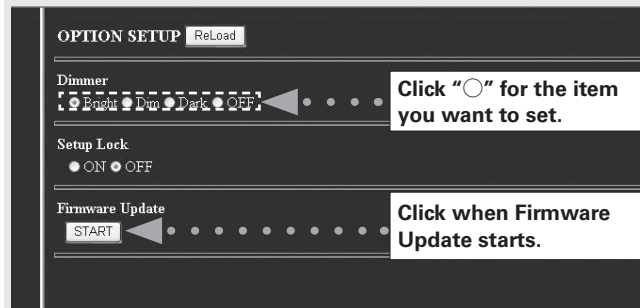
Displays Warning and Protection Data.

[Example: 4] Audio Signal and Trigger Input Screen



Displays On / Off of Audio signal and Trigger In. No setting item.

[Example: 5] Option Setup Screen



Click "0" for the item you want to set.

Click when Firmware Update starts.



To use the web control function, set the menu "Main Setup" – "POWER CONFIGURATION" – "ON LINE" (page 14).

NOTE

- To perform web control, you must connect a web control device such as a PC to the same network as the POA-3012CI.
- With web control, some network settings, etc., cannot be set.
- When updating firmware, settings made by the web controller may be reset.

Resetting the Microprocessor

Perform this procedure if the display is abnormal or if operations cannot be performed. When the microprocessor is reset, all the settings are reset to their default values.

- 1** Unplug the power cord from the power outlet.
- 2** Turn the power on (or connect the power cord to the power outlet) while simultaneously pressing the **ZONE 5** and **DISPLAY** buttons.
- 3** When all Zone operation mode indicators are illuminated in red and "***EEPROM INIT.***" is displayed, release finger from two buttons.



If in step 3 the could not be start over from step 1.

Troubleshooting

Check the following before assuming there is a problem with the set:

1. Are all connections proper?

2. Is the set being operated as described in the owner's manual?

3. Are the speakers and input components being operated properly?

If the set does not seem to be operating properly, check the points listed below. If these points do not apply, the set may be damaged. Turn off the power immediately and contact your store of purchase.

Symptom	Cause	Countermeasure	Page
When the power is turned on, the power indicator does not light and no sound is produced.	<ul style="list-style-type: none"> The power supply cord's plug is not fully plugged in. 	<ul style="list-style-type: none"> Make sure the unit is correctly plugged in and switched on at the mains socket. 	10
The power indicator lights but no sound is produced.	<ul style="list-style-type: none"> The speaker cables are not fully connected. The device you want to listen to has not been selected. The volume control is set to minimum. The input cable is not fully connected. The speaker cable is not connected properly for the operation mode. The input connector is not connected properly. The "Turn On" command is not input from the external terminal when the ZONE TRIGGER ON MODE is set to ON LINE (the ZONE operation mode indicator is not lit). Trigger voltage is not input to the TRIGGER IN terminal from the external device when the ZONE TRIGGER ON MODE is set to "TRIG. IN". 	<ul style="list-style-type: none"> Connect securely. Insure the correct input is selected. Set to an appropriate level. Connect securely. Connect the speaker as required for the Operation Mode (NORMAL MODE or BRIDGED MODE). Connect the input connector correctly (in the case of BRIDGED input for each ZONE, input to an even-numbered channel.) Send the "Turn On" command from the external device. Input the trigger voltage from the external device. 	5 7 17 7 5 7 9, 14 9, 14

Specifications

Rated output:

12-channel driving, NORMAL operation:

30 W x 12 ch (8 Ω/ohms, DIN 1 kHz with 0.7 % T.H.D.)

50 W x 12 ch (4 Ω/ohms, DIN 1 kHz with 0.7 % T.H.D.)

6-channel driving, BRIDGED operation:

100 W x 6 ch (8 Ω/ohms, DIN 1 kHz with 0.7 % T.H.D.)

Total harmonic distortion:

0.05% (Rated output: -3 dB, 8 Ω/ohms, 1 kHz)

Output terminals:

Speaker 4 ~ 16 Ω/ohms (NORMAL operation)

Speaker 8 ~ 16 Ω/ohms (BRIDGED operation)

Input sensitivity / Input impedance:

550 mV / 47 kΩ/kohms (NORMAL operation)

275 mV / 47 kΩ/kohms (BRIDGED operation)

Gain:

29 dB (NORMAL operation)

35 dB (BRIDGED operation)

Frequency response:

5 Hz ~ 40 kHz (Low cut filter: OFF)

S/N ratio:

95 dB (input terminals short-circuited, with A-weighted network)

Low cut filter:

Cut off frequency 80 Hz (-12 dB/oct. Low cut filter: ON)

Trigger in level:

3 ~ 30 V DC

Trigger out level:

12 V DC, 250 mA MAX

Power Supply:

AC 120 V, 60 Hz (North America model) / AC 230 V, 50Hz (Europe model)

Power Consumption:

2.5 A (North America model) / 230 W (Europe model)

Standby: 0.5 W or less

(When the "POWER CONFIGURATION" is set to "POWER BUTTON")

Maximum external dimension:

434 (W) x 171 (H) x 410 (D) mm (17-3/32" x 6-47/64" x 16-9/64")

Weight:

19.0 kg (Approx 41 lbs 14.2 oz)

※ For purposes of improvement, specifications and design are subject to change without notice.

DENON

www.denon.com

Denon Brand Company, D&M Holdings Inc.
Printed in Japan 00D 511 4719 101